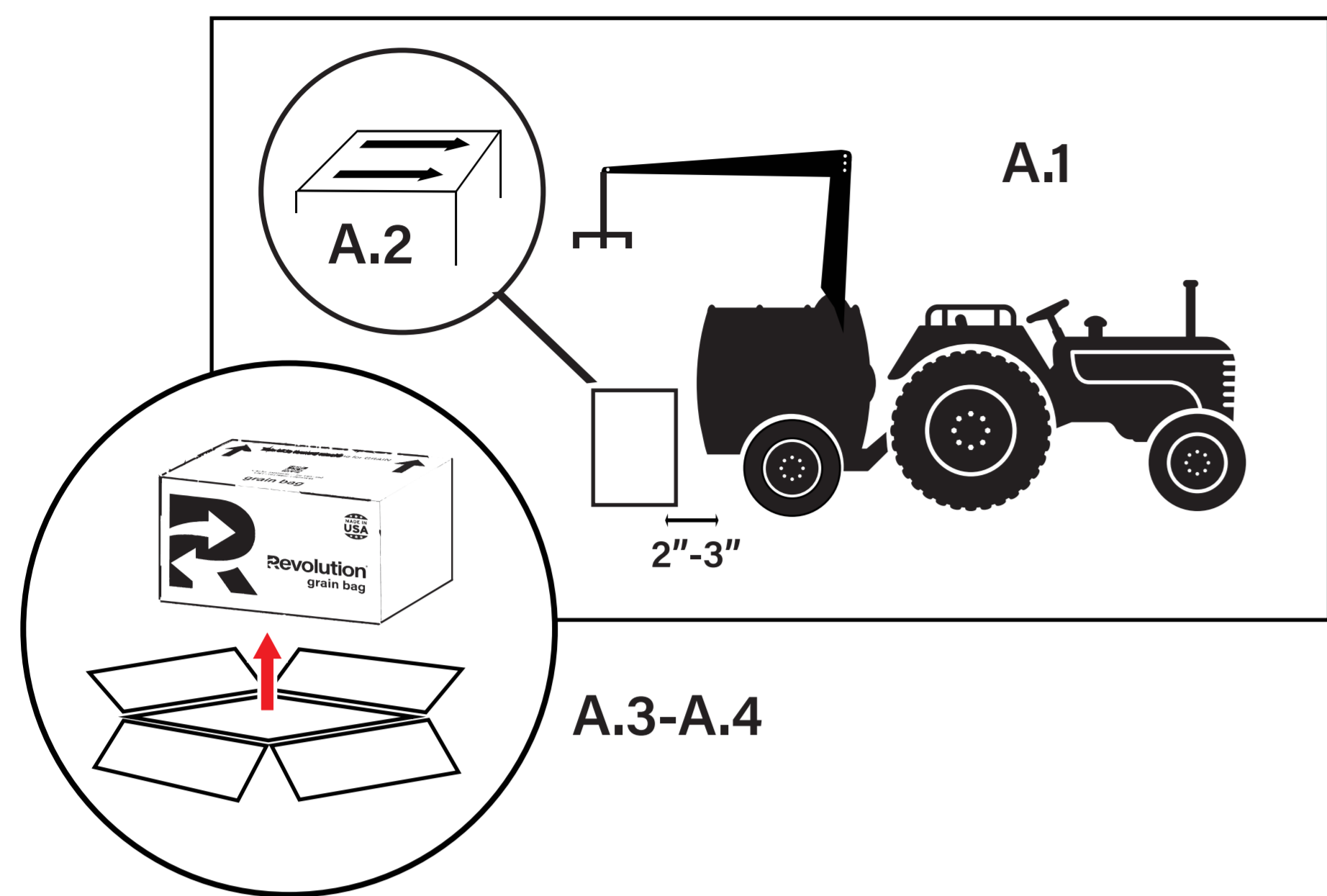
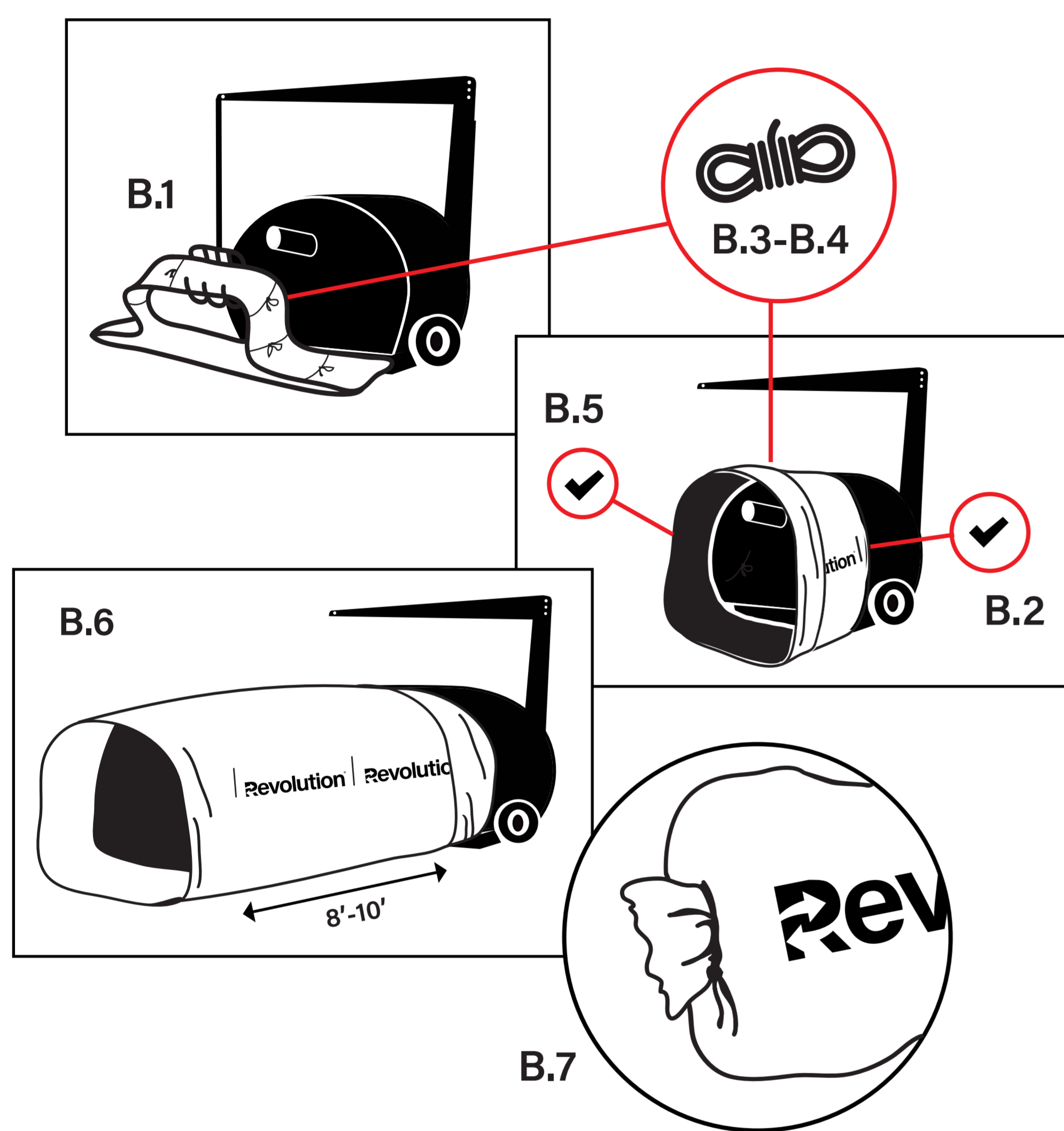


# Silage Bag Installation Guide



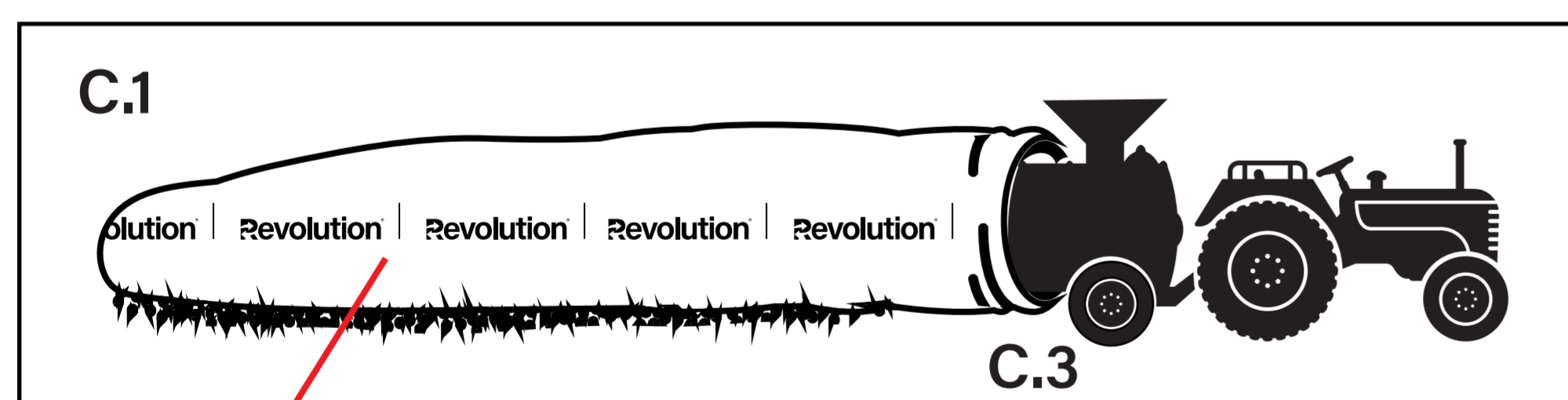
## A. THE BOX

1. **Position** the box on the ground 2-3 inches in front of the bagger
2. **Point** arrows towards the tunnel/machine
3. **Open** by lifting the lid off the box
4. **Watch** as the sides fall



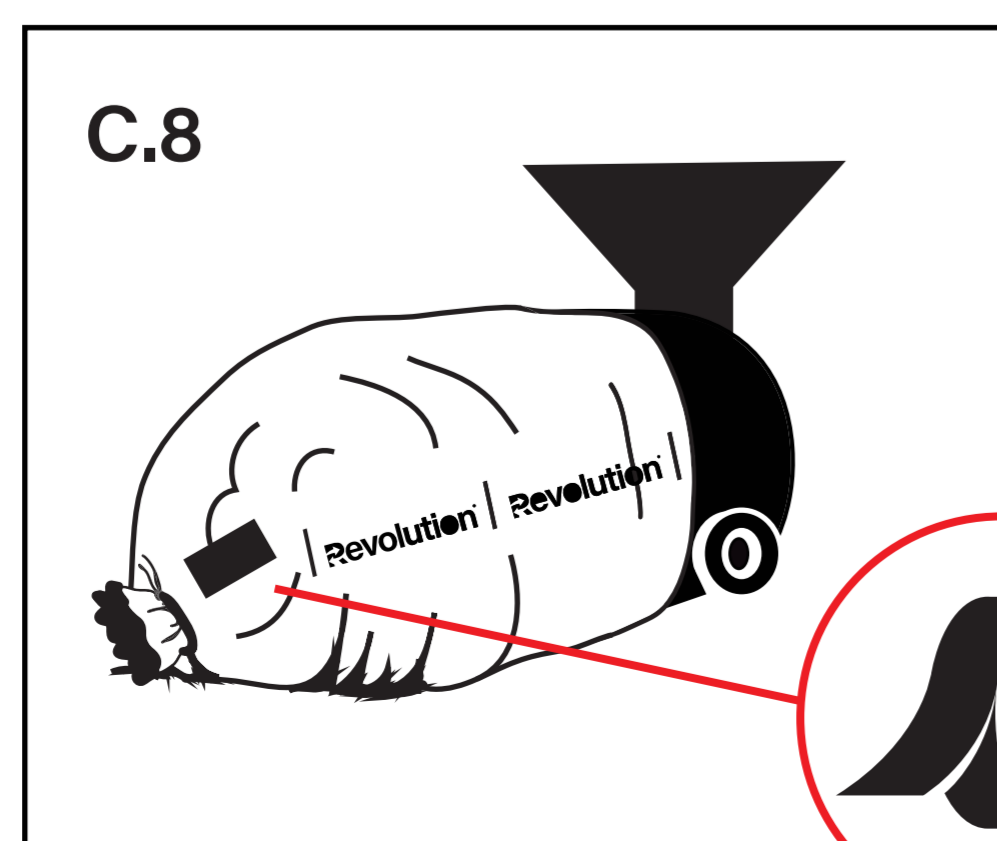
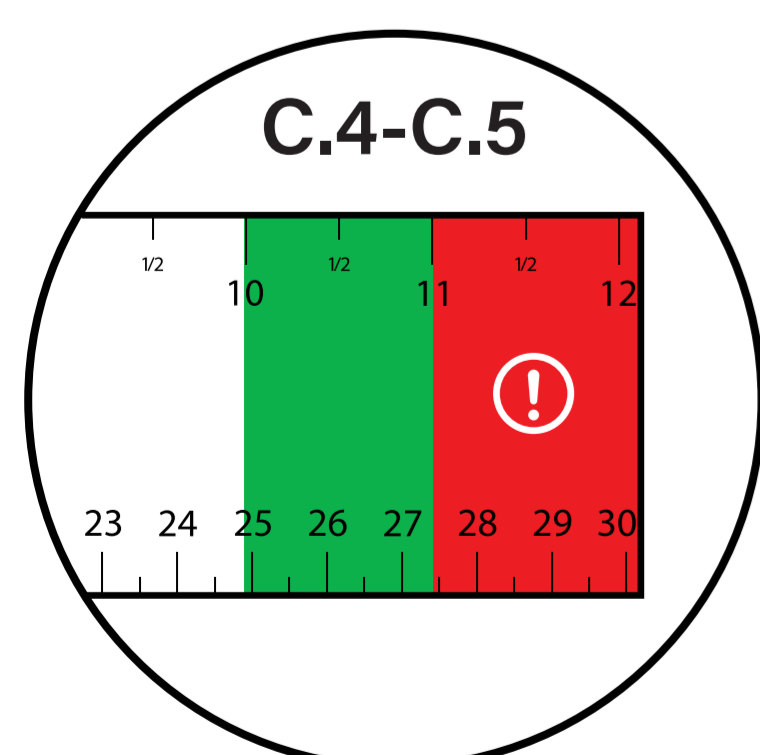
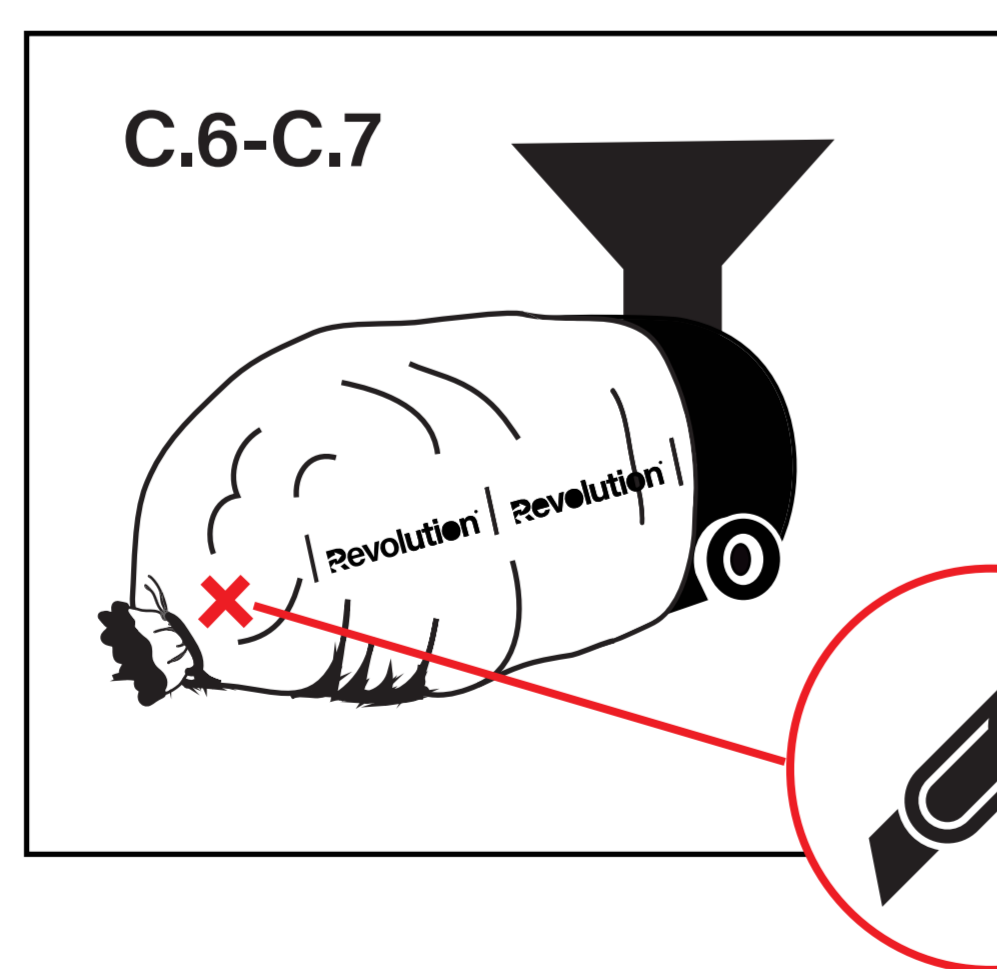
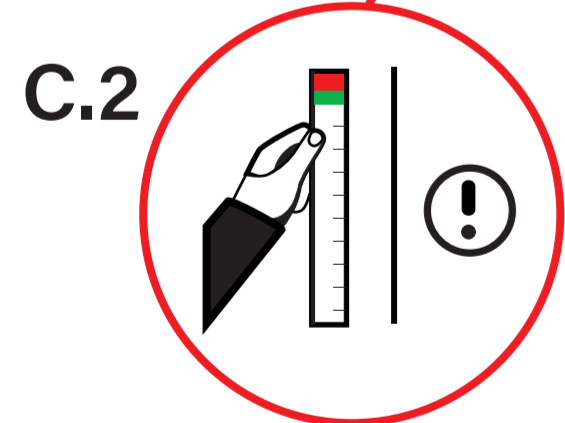
## B. THE BAG

1. **Unfold** the bag in accordion style
2. **Keep** the stretch marks on the same side of bagger brakes
3. **Remove** straps/ropes on the bag **AFTER** it is firmly on the bagger
4. **Save** the straps/ropes for later
5. **Ensure** the black part of the bag is on the inside
6. **Pull** 8-10 feet of plastic away from the machine
7. **Tie** the loose end of plastic using some of the strap/rope from B.4



## C. THE FORAGE/GRAIN

1. **Begin** filling the bag
2. **Measure** stretch indicators often with provided ruler to prevent overfilling
3. **Adjust** the bagger brakes as necessary
4. **Stop** filling the bag ¼ of an inch before the red section of the ruler
5. **Stop** filling the bag
6. **Cut** a "V" or "X" shape in the end of the bag
7. **Allow** gases generated from fermenting to escape from bag
8. **Seal** the cut section using the tape provided
9. **DO NOT BREATHE IN GASES. YOUR WELL-BEING IS IMPORTANT TO US**



**Revolution**

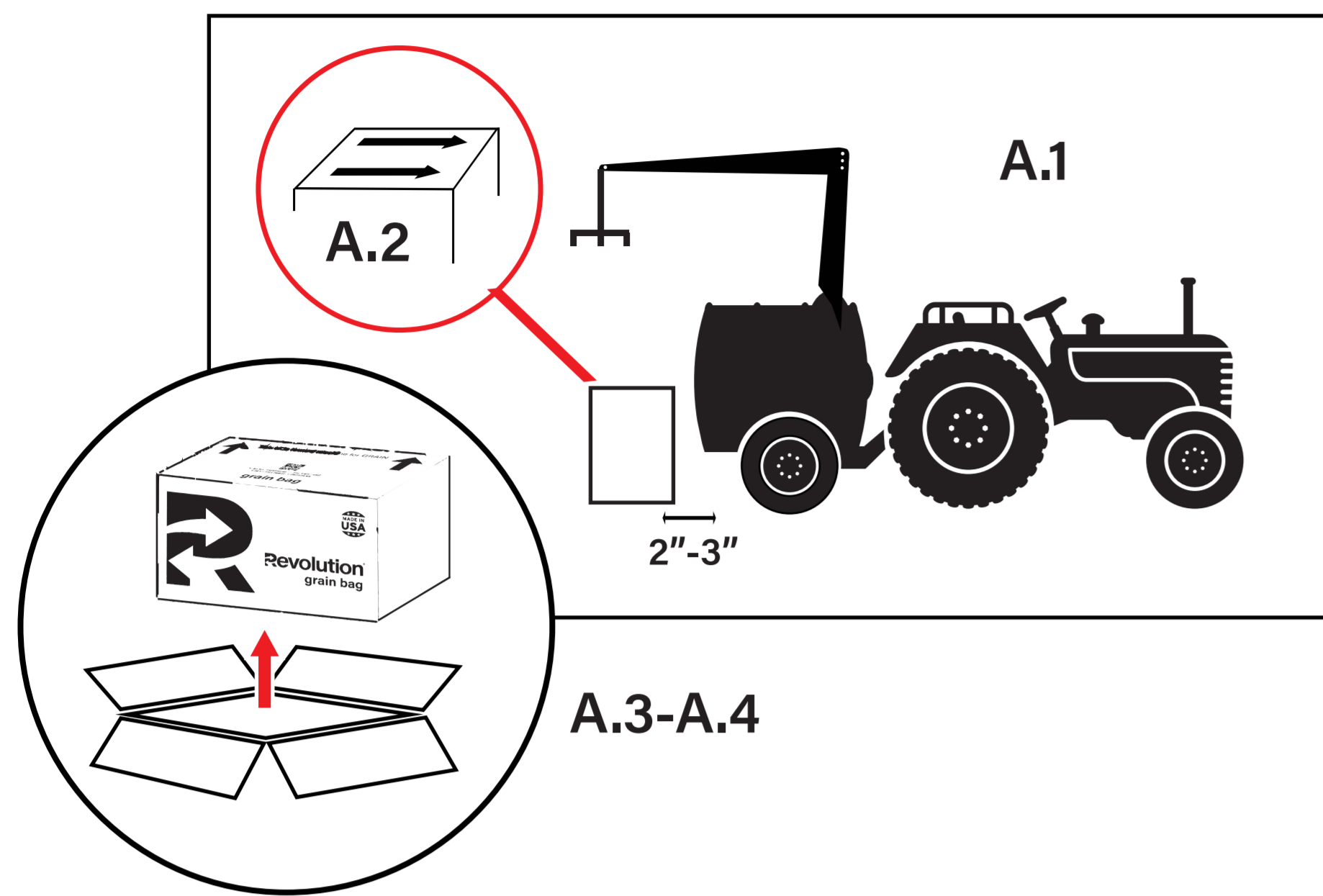
sales-ag@revolutioncompany.com

501.277.9172

revolutioncompany.com

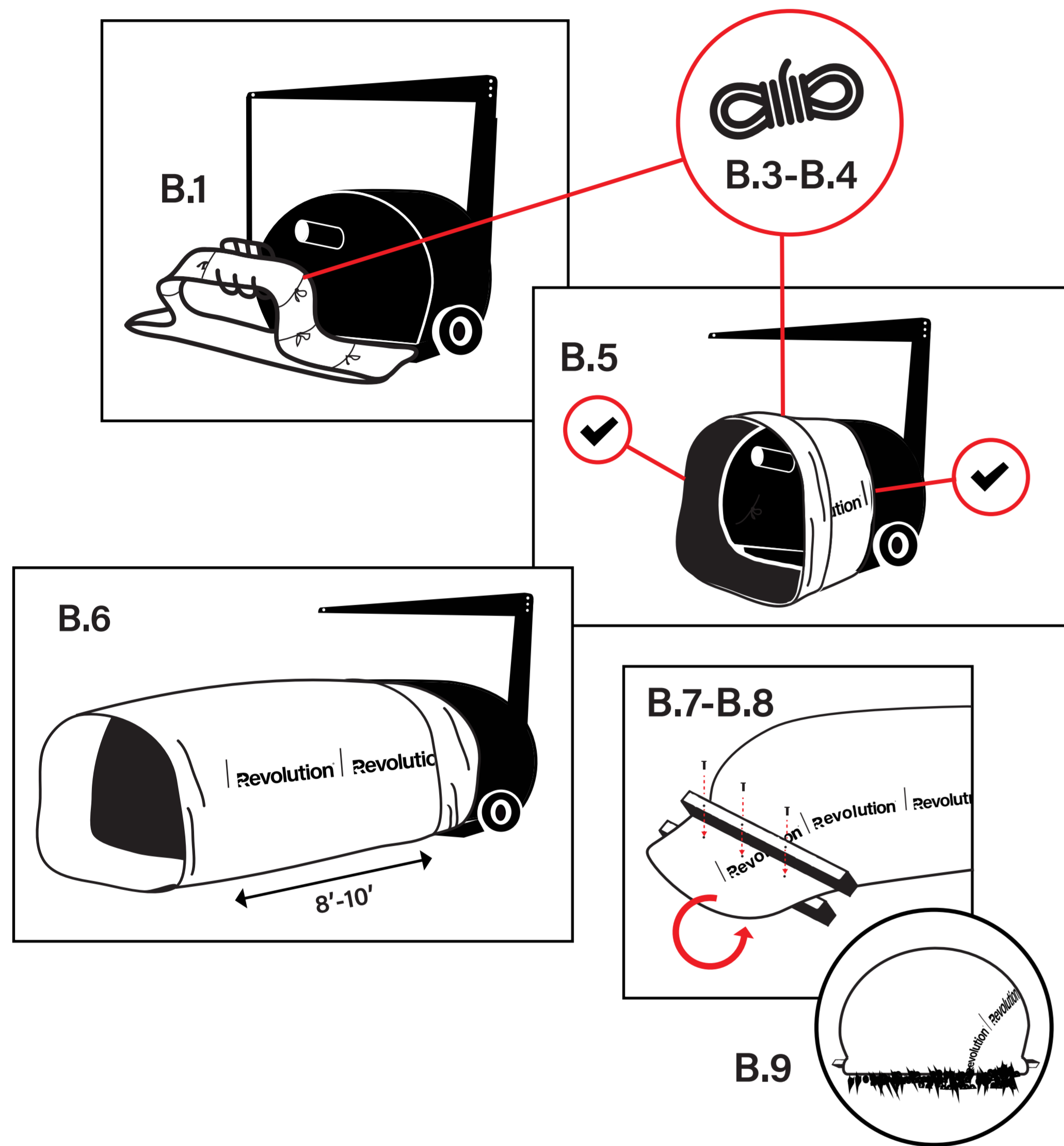


# Grain Bag Installation Guide



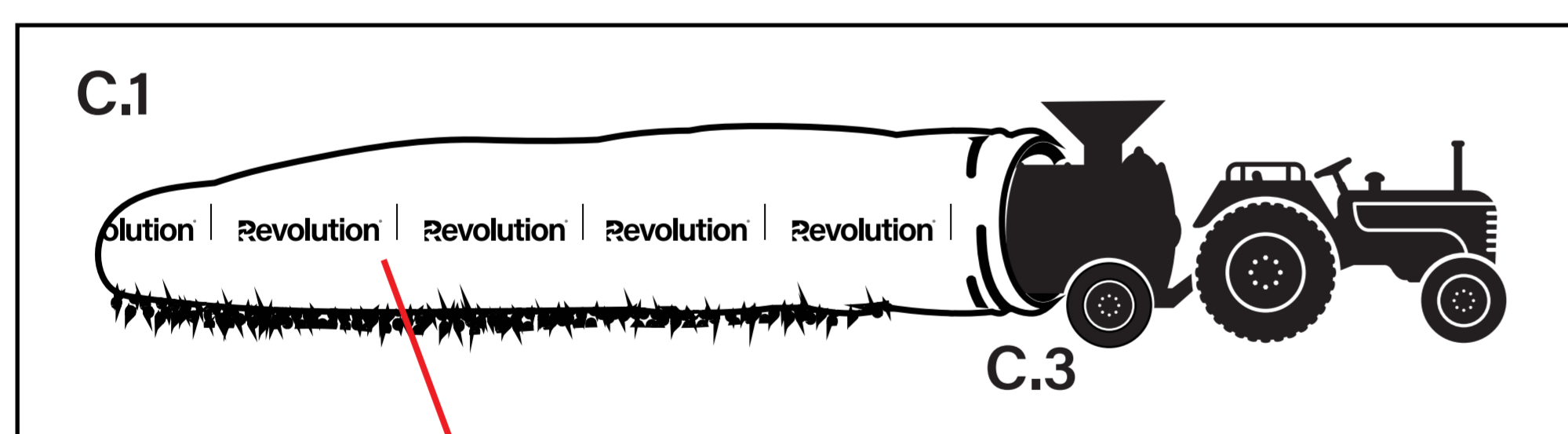
## A. THE BOX

1. **Position** the box on the ground 2-3 inches in front of the bagger
2. **Point** arrows towards the tunnel/machine
3. **Open** by lifting the lid off the box
4. **Watch** as the sides fall

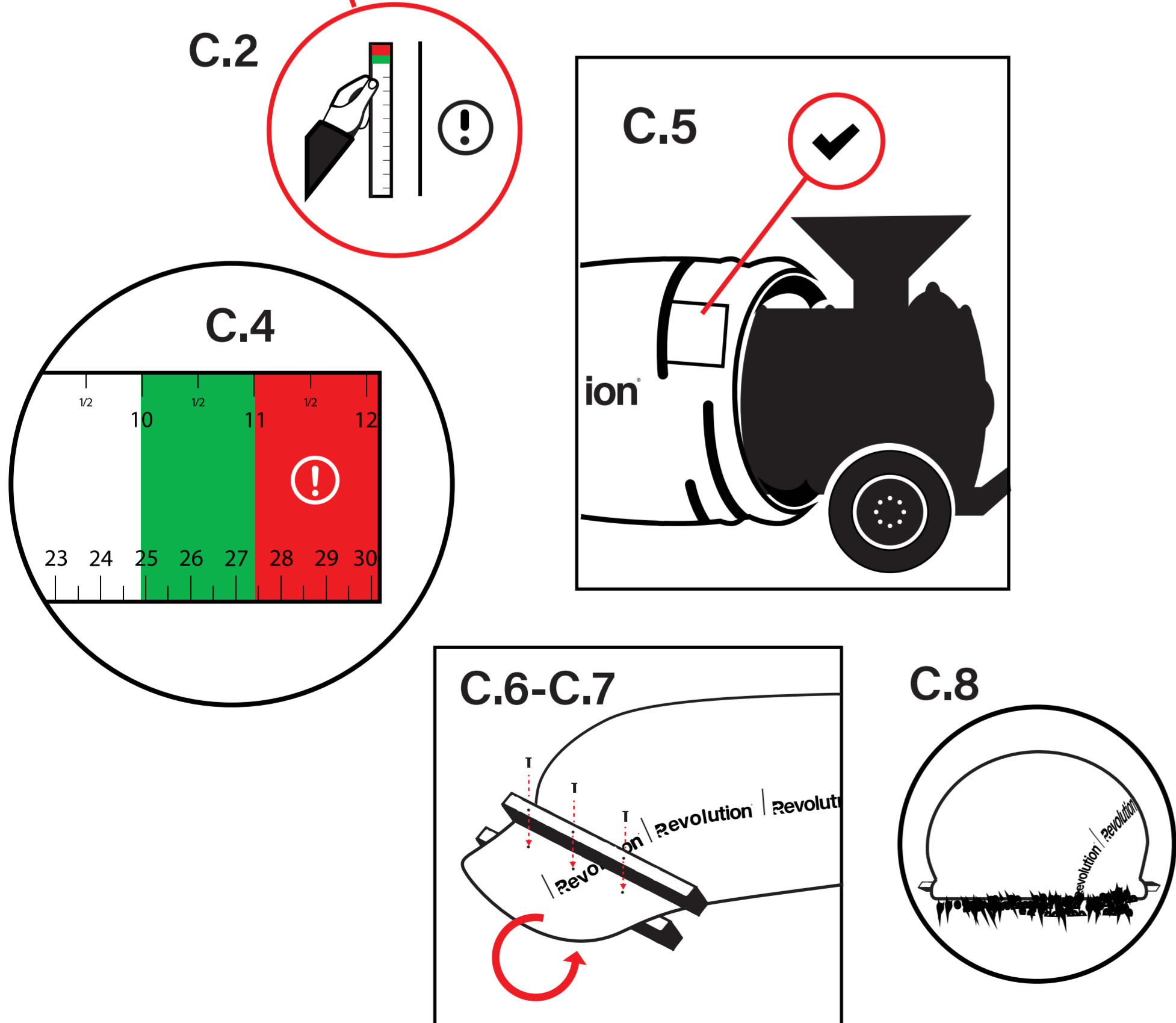


## B. THE BAG

1. **Unfold** the bag in accordion style
2. **Keep** the stretch marks on the same side of bagger brakes
3. **Remove** straps/ropes on the bag **AFTER** it is firmly on the bagger
4. **Save** the straps/ropes for later
5. **Ensure** the black part of the bag is on the inside
6. **Pull** 8-10 feet of plastic away from the machine
7. **Use** two 2x4's to collapse the end of the bag (make sure boards are longer than the width of the bag)
8. **Secure** the plastic to the boards using screws/nails
9. **Roll** the bag **UNDER** 3 or 4 times



## C. THE FORAGE/GRAIN



1. **Begin** filling the bag
2. **Measure** stretch indicators often with provided ruler to prevent overfilling
3. **Adjust** the bagger brakes as necessary
4. **Stop** filling the bag  $\frac{1}{4}$  of an inch before the red section of the ruler
5. **Stop** filling the bag 4 to 5 folds in (each fold is ~3 feet)  
Suggestion: Use a piece of cardboard from the box to mark the folds
6. **Use** two 2x4s to collapse the end of the bag (make sure boards are longer than the width of the bag)
7. **Use** screws/nails to secure boards and plastic
8. **Roll** the bag **UNDER** until tight against the grain

**Revolution**

sales-ag@revolutioncompany.com

501.277.9172

revolutioncompany.com